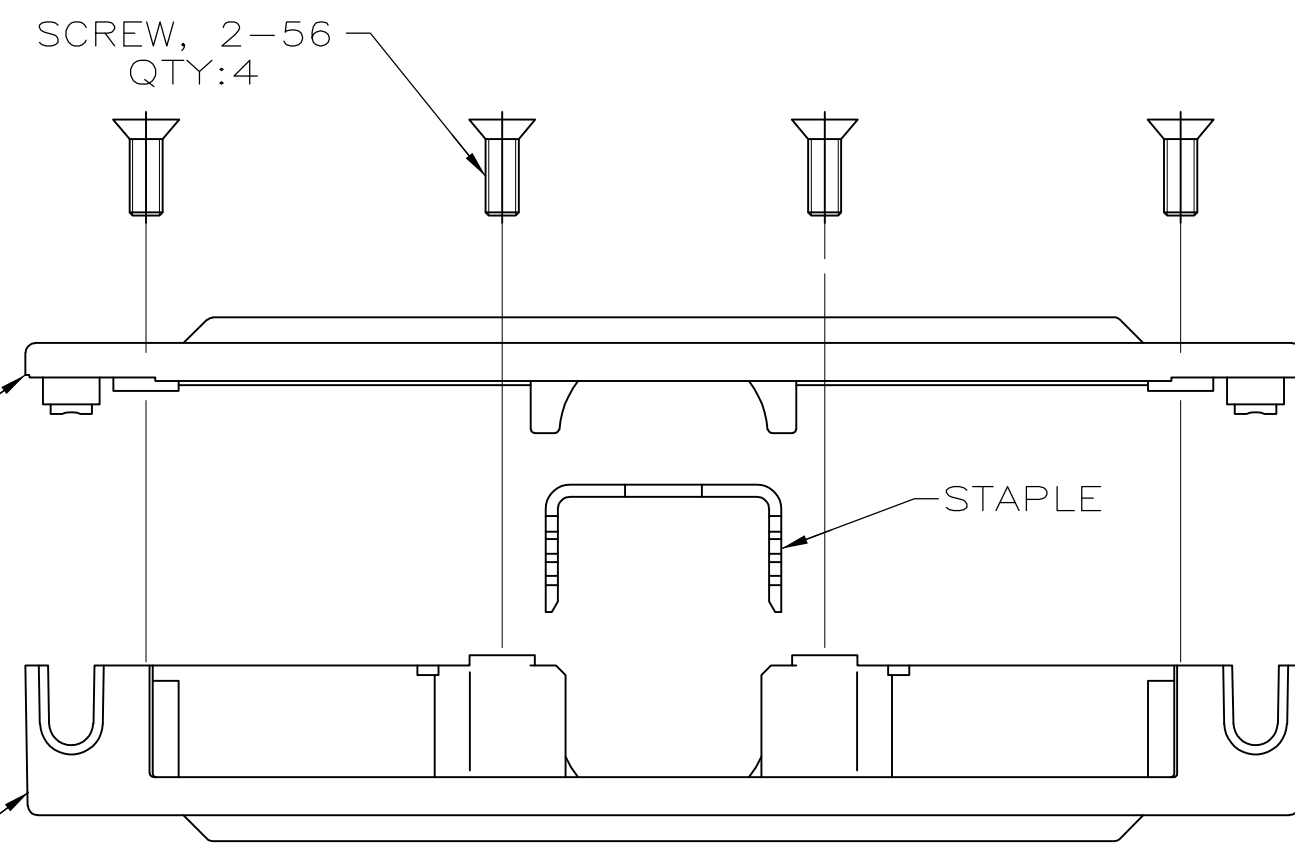
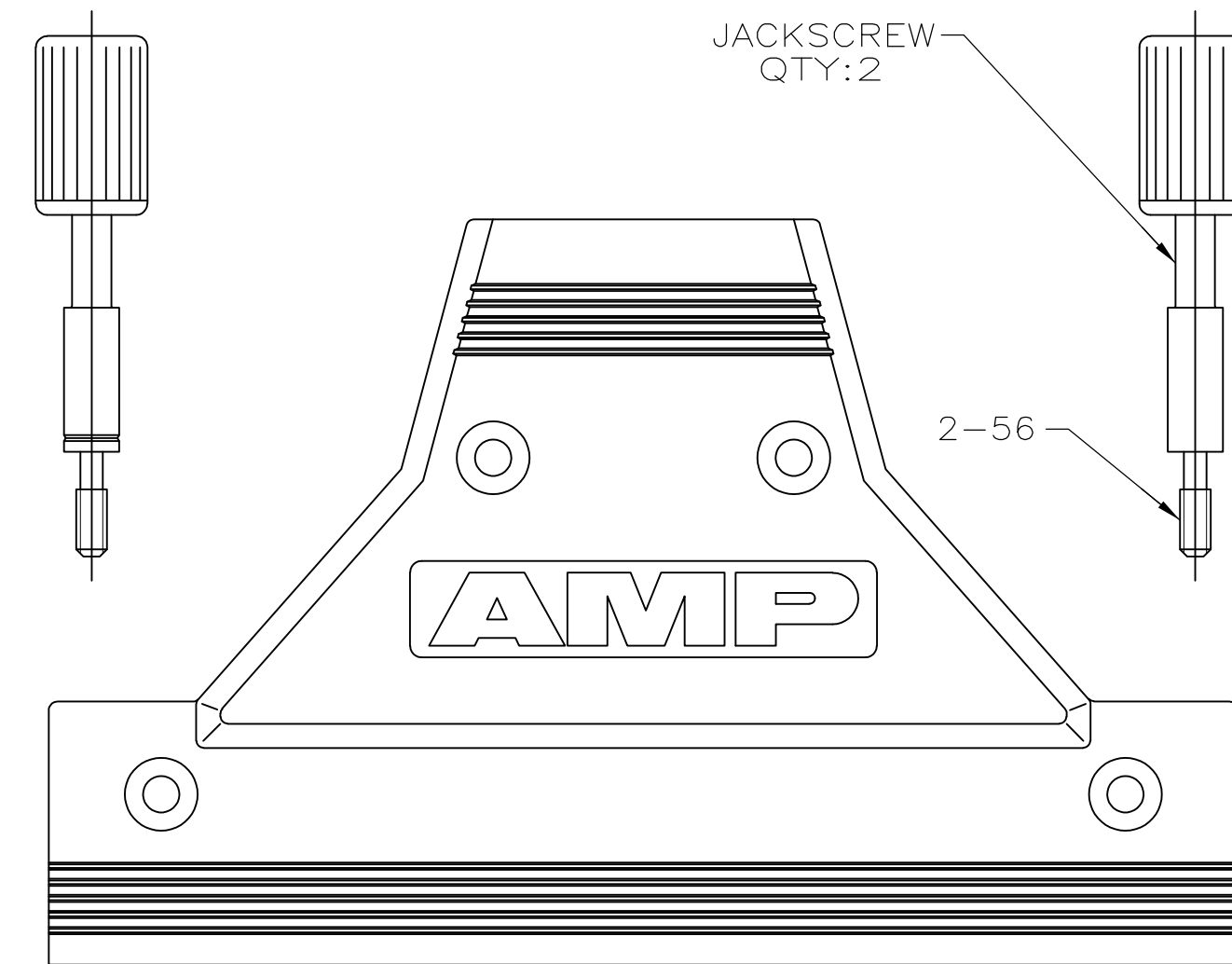
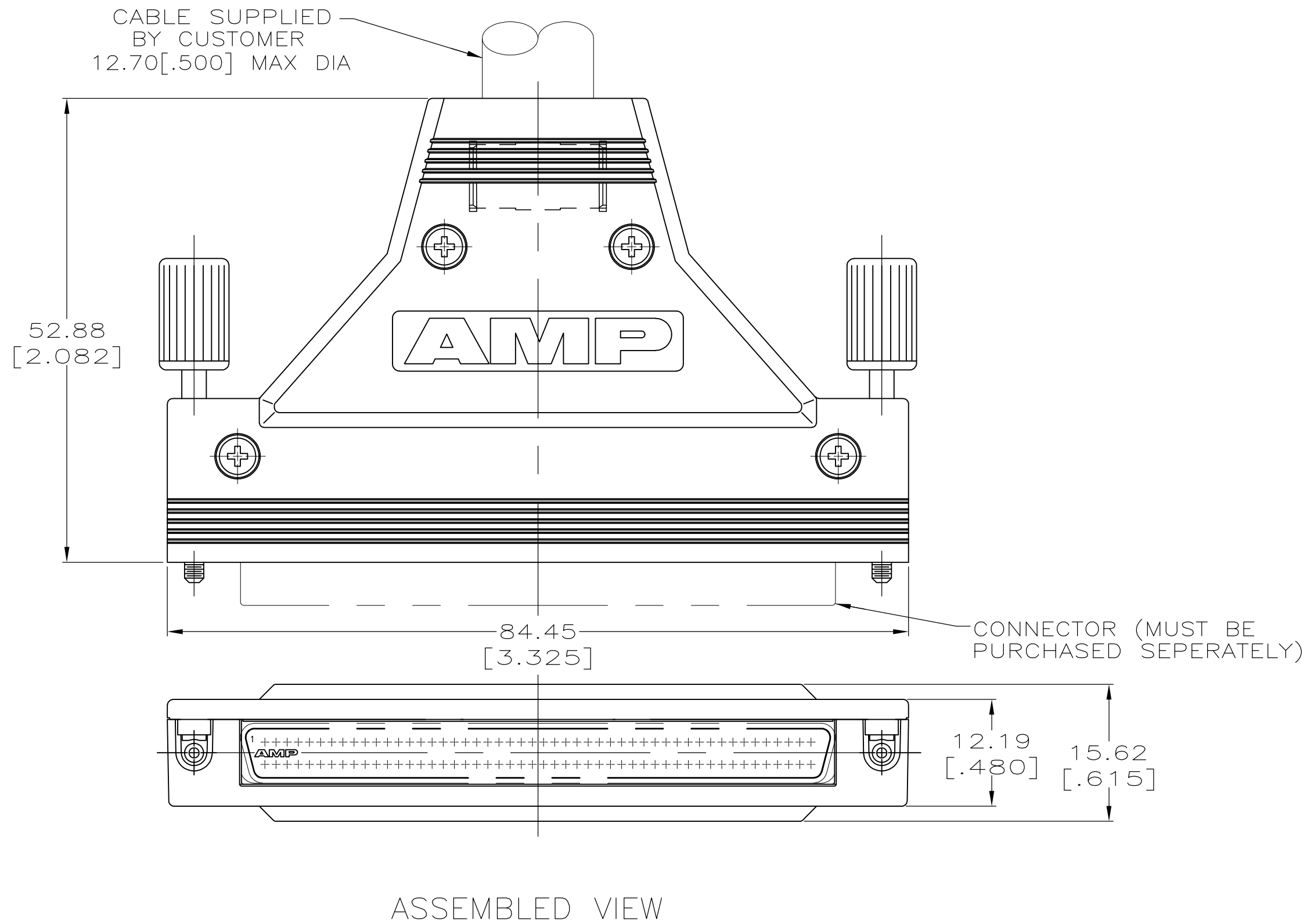


THIS DRAWING IS UNPUBLISHED. RELEASED FOR PUBLICATION
 © COPYRIGHT - By - ALL RIGHTS RESERVED.

LOC		DIST		REVISIONS			
P	LTR	DESCRIPTION	DATE	DWN	APVD		
GP	00	S	REVISED PER ECO-14-010092	08JUL2014	CJV	SLB	



- ① BACKSHELLS: ZINC.
 STAPLE: STEEL.
 JACKSCREW HEAD: POLYPROPYLENE OR NYLON, UL94V-0 RATED, BLACK.
 JACKSCREW BODY: STEEL.
 SCREWS: STAINLESS STEEL.
- ② BACKSHELLS: NICKEL OVER COPPER.
 STAPLE: BRIGHT TIN OVER NICKEL.
 JACKSCREW BODY: BLACK ZINC.

5749854-1
 PART NO

THIS DRAWING IS A CONTROLLED DOCUMENT.		DWN	G.PETERS	24AUG05		TE Connectivity		
DIMENSIONS: mm[INCHES]		CHK	S.SHUEY	24AUG05		NAME		
TOLERANCES UNLESS OTHERWISE SPECIFIED:		APVD	M.WALMSLEY	24AUG05		PRODUCT SPEC		
0 PLC ± - 1 PLC ± - 2 PLC ± 0.38[.015] 3 PLC ± - 4 PLC ± - ANGLES ± - FINISH		APPLICATION SPEC		BACKSHELL KIT, 100 POS, AMPLIMITE .050 SERIES				
MATERIAL	①	WEIGHT	-	SIZE	A2	CAGE CODE	00779	
CUSTOMER DRAWING		SCALE	2:1	DRAWING NO	C=5749854		RESTRICTED TO	
		SHEET	1 of 1			REV	S	